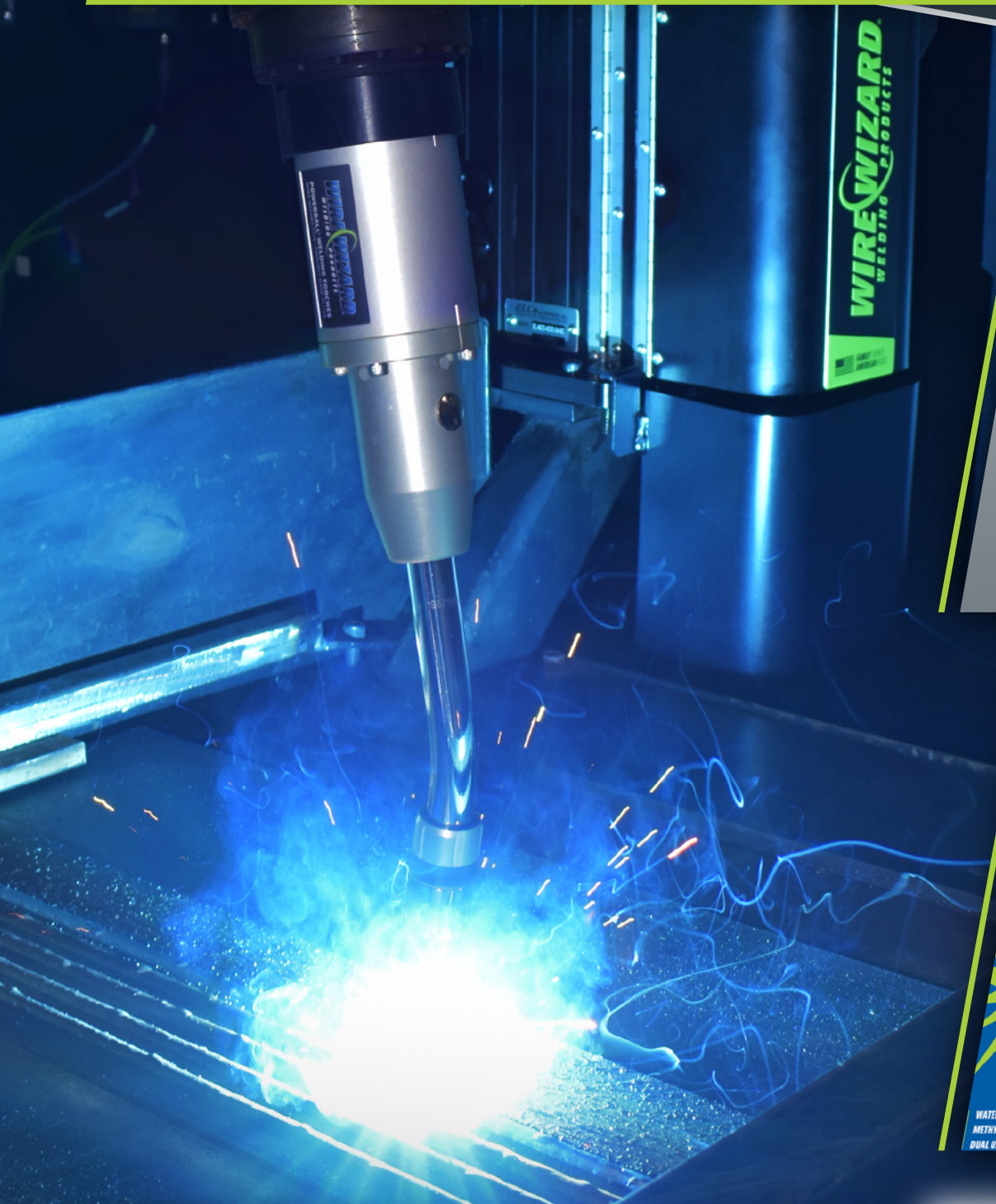




TORCH WIZARD[®]

NOZZLE CLEANING STATIONS

HIGH PERFORMANCE NOZZLE CLEANING STATIONS



WIRE WIZARD
WELDING PRODUCTS

**BLUE
MAGIC[®]**
ANTI-SPATTER

WATER-BASED, NONTOXIC FORMULA
METHYLENE CHLORIDE FREE
DUAL USE — SPRAY OR DIP NOZZLES

SILICONE FREE, SAFE FOR PAINT
REDUCES CLEAN-UP TIME
PREVENTS CARBON BUILDUP



**FAMILY OWNED
AMERICAN MADE**

wire-wizard.com

RELIABLE PERFORMANCE FOR MAXIMUM WELDING PRODUCTIVITY

TORCH WIZARD[®] NOZZLE CLEANING STATIONS FEATURES & OPTIONS



QUICK ACCESS MAINTENANCE PANEL

Dual-hinged panel in rear of unit provides full accessibility for easy maintenance.



AUTOMATED SELF-CLEANING FOR EASY MAINTENANCE

Integrated air blast for automated cleaning of spatter and debris (optional).



BLUE MAGIC[®] ANTI-SPATTER

Extended two-year warranty with exclusive use of Blue Magic[®] or Blue Chill[®] Anti-spatter.

OPTIONAL WIRE CUTTER

Available wire cutter cleanly cuts wire, removing weld bead for smoother arc starts.

INTEGRATED STATUS LIGHT

Verifies proper functionality

BUILT FOR RELIABILITY

No complex circuit boards or belts for reliable, low maintenance operation.

TOOL CENTER POINT (TCP) MOUNT

Optional TCP mounts available for Fanuc[®] tool center points.

SEPARATE REAMING & SPRAYING COMPARTMENTS

Contained wet/dry compartments prevent sludge buildup on blade and motor.

TITANIUM NITRIDE COATED BLADES

Strong alloy tool steel blades are TiN coated to maintain sharpness and resist breakage.

HIGH TORQUE MOTOR

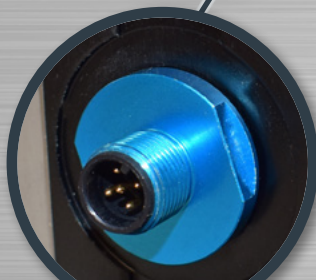
High torque pneumatic motor prevents stalls and cleans effortlessly.

FULLY ENCLOSED OPERATING ENVIRONMENT

Sealed enclosure and button covers provide protection for internal components. Catch tray keeps the weld cell clean.



PROUDLY MADE



ETHERNET OR IO-LINK OPTION

Ethernet or IO-Link capability available for connectivity in modern weld cells.

SELF-CLEANING ROBOTIC NOZZLE CLEANING STATION

THE SELF-CLEANING WORKHORSE

Torch Wizard® Automatic Robotic Nozzle Cleaning Stations assist in maintaining quality and productivity in MIG welding cells by quickly and efficiently removing spatter build-up in the gas nozzle. The SC models feature a **self-cleaning air blast to clean spatter and other debris** from the blade and air motor. Anti-spatter is applied evenly to the nozzle and tip through an isolated compartment, eliminating wet debris build-up on the reamer blade and motor. **Two year warranty with exclusive use of Blue Magic®/Blue Chill® anti-spatter.**

- ▶ Extends torch consumable life by removing spatter build-up
- ▶ IO-Link or Ethernet option for connectivity in modern robotic welding cells
- ▶ No circuit boards and fewer moving parts means **more reliable operation and lower maintenance costs**
- ▶ Integrated air blast option for automated cleaning of debris from the reamer motor, reducing downtime for maintenance
- ▶ Multi-station bulk anti-spatter dispensing ability standard on all models
- ▶ High torque motor prevents stalls, reducing downtime
- ▶ Enclosed operating environment keeps weld cell clean
- ▶ Easy-open hinged covers provide quick access to internal components
- ▶ TiN coated reamer blades offer efficiency and longevity
- ▶ Status light to verify proper functionality
- ▶ Automated self-diagnostics and maintenance mode
- ▶ Model for aluminum welding applications also available

Note: Each base unit requires a reamer blade (based on I.D. of gas nozzle being used) and power/control cable. Required FRL is available for purchase.



Anti-Spatter

Optional Air Blast

Interior View

**Torch Wizard®
Robotic Nozzle
Cleaning Station**

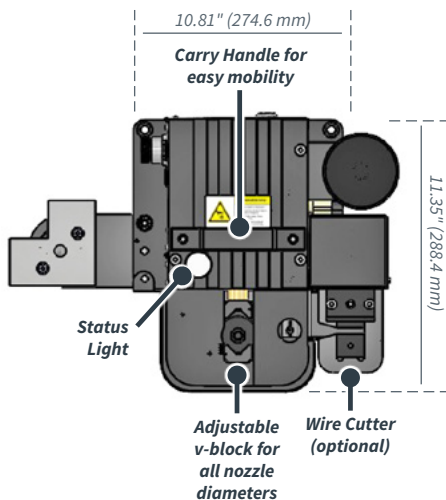
EL-NCS-AC-24-SC

With optional
TCP mount

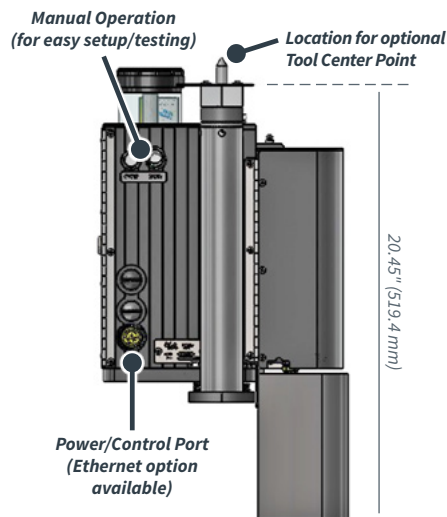
NOW WITH

IO-Link
CAPABILITY

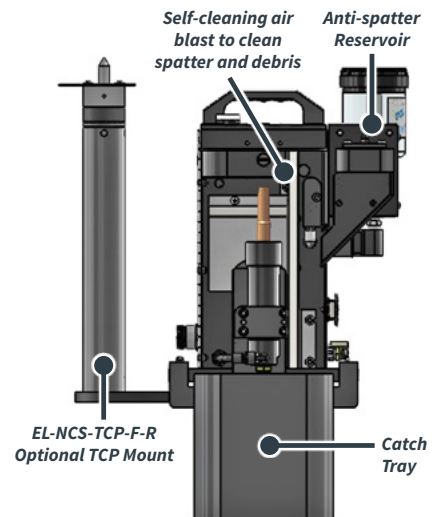
TOP VIEW



SIDE VIEW



FRONT VIEW without cover



TANDEM ARC NOZZLE CLEANING STATION

Innovative design
cleans tandem
arc torches
with ease!



DOUBLE-BARRELED CLEANING POWER

The Torch Wizard® TA Tandem Arc Nozzle Cleaning Station is specially designed for removing spatter build-up in tandem arc torches. Models are available for cleaning Cloos®, Fronius® and Tregaskiss® tandem arc torches. **Two year warranty with use of Blue Magic®/Blue Chill® anti-spatter.**

- ▶ Quickly and effectively cleans tandem arc torch nozzles, requiring only a simple movement of the torch to ream each side
- ▶ Nozzle clamp (based on torch model) designed specifically for securing tandem arc torches
- ▶ Includes all the same features and uses the same reamer blades as the other Torch Wizard® Nozzle Cleaning Stations

Torch Wizard® Tandem Arc Nozzle Cleaning Station

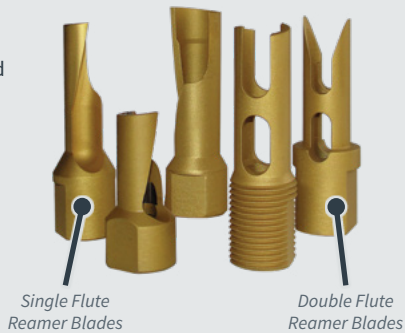
EL-NCS-A-TA-24-TR



CLEANING STATION OPTIONS & ACCESSORIES

TITANIUM NITRIDE COATED REAMER BLADES

Made from alloy tool steel and coated with titanium nitride (TiN) for enhanced durability, our reamer blades maintain their sharp cutting edge and resist breakage. Sizes for all standard nozzle IDs and lengths available.



Single Flute
Reamer Blades

Double Flute
Reamer Blades

TESTING & DIAGNOSTIC BOX

The Torch Wizard® Reaming Station Test Box is a recommended maintenance peripheral for periodically testing and fine tuning your reaming station. Functions include: Sink/Source, Motor Slide Up/Down, Nozzle Clamp, Anti-spatter Spray and Wire Cutter (if applicable). Includes 110v AC unit and cable. Available for all cleaning station models.

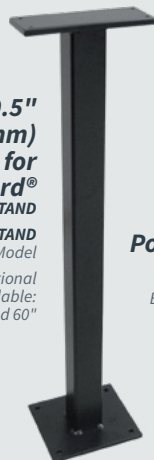


TORCH WIZARD® WIRE CUTTER

Features reversible hardened steel blade for long cutting life. Included with AC and ACE models. Standalone model also available.

STANDS & TCP ADAPTERS

29.5"
(749 mm)
Stand for
Torch Wizard®
EL-NCS-STAND
Order EL-NCSP-STAND
for AP Model
Additional
heights available:
12", 20", 36", 48" and 60"



Tool Center Point Adapter Mount EL-NCS-TCP-F-R

Excludes touch plate and point



COBOT GUARDING KIT

For Reamer and Wire Cutter



BLUE MAGIC® INDUSTRIAL ANTI-SPATTER

BLUE MAGIC® & TORCH WIZARD® STATIONS — A WINNING COMBINATION!

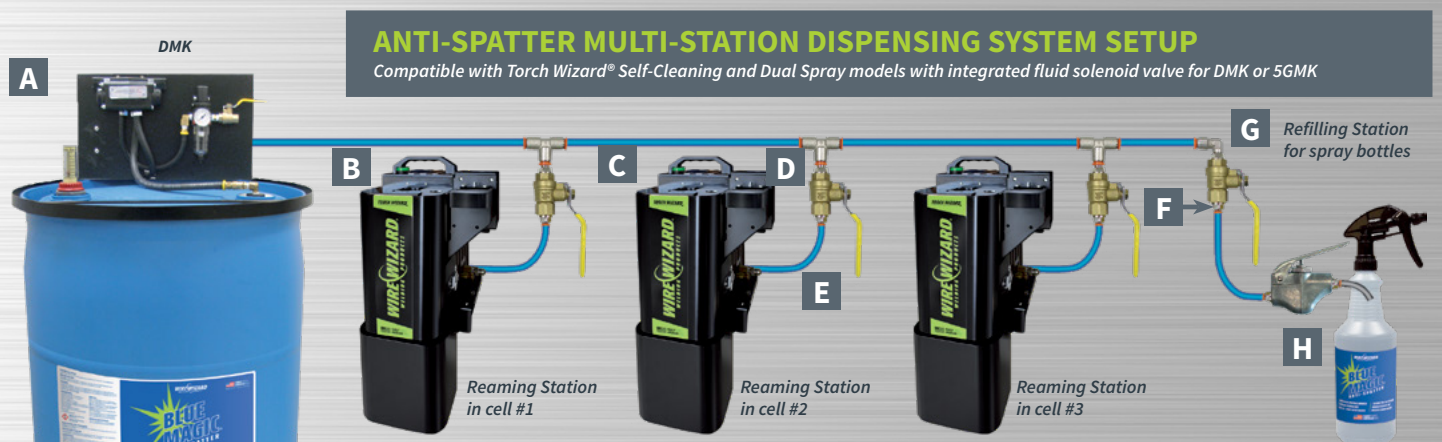
A cost effective, environmentally safe product, this new generation of anti-spatter provides superb performance even in high temperature applications. Biodegradable formula contains no harmful chemicals and is noncombustible. And, because it contains one of the lowest water contents available, **you get protection, not water.**

- ▶ Surfactants provide excellent wetting and lubricity in torches
- ▶ **Protects against spatter build-up and char residue**
- ▶ Keeps clean-ups to a minimum
- ▶ **Contains no silicone** — easily painted over
- ▶ Available in a nonflammable, air-powered can with the same trusted formula
- ▶ Will not evaporate, keeping lines and nozzles clog-free
- ▶ **Available in concentrated form in 5 gallon buckets or 1 liter bottles**
 - ▶ One 5 gallon bucket makes 55 gallons of anti-spatter — ideal for overseas shipping



ANTI-SPATTER MULTI-STATION SETUP

- ▶ Lowers operating costs by allowing the use of bulk anti-spatter, reduces downtime for refilling
- ▶ Supplies anti-spatter to multiple stations with pneumatic pump (pumps up to 1.92 gallons per minute at 75 psi)
- ▶ Less space required due to one feeding source



Plumbing Components for Multi-Station Anti-Spatter Dispensing

A	DMK (or 5GMK) Manifold Kit	D	2U32013 1/4" NPT x 3/8" Branch Tee	G	2U31013 1/4" NPT x 3/8" Elbow
B	1J-352-007-01 3/8" Spatter-Resistant Tubing	E	1J-351-01 1/4" Spatter-Resistant Tubing	H	EAS1000-FS Sprayer/Bottle Refill Spigot
C	40021-04 1/4" Ball Valve	F	2U01008 1/4" x 1/4" NPT Push-in	I	5454K87 (not shown) 1/4" NPT Bulkhead Connector for through-wall installations

Blue Magic® or
Blue Chill® 55 gallon

TORCH WIZARD® CLEANING STATIONS & ACCESSORIES

TORCH WIZARD® ROBOTIC NOZZLE CLEANING STATIONS

STANDARD MODELS

Part No.	Description
EL-NCS-A-24	9-Pin Cleaning Station with Integrated Anti Spatter Spray
EL-NCS-A-24-SC	9-Pin Cleaning Station with Integrated Anti Spatter Spray and Self Cleaning
EL-NCS-AC-24	9-Pin Cleaning Station with Integrated Anti Spatter Spray and a Wire Cutter
EL-NCS-AC-24-SC	9-Pin Cleaning Station with Integrated Anti Spatter Spray, Self Cleaning, and a Wire Cutter
EL-NCS-24	9-Pin Cleaning Station for aluminum
EL-NCS-A-TA-24-CL	Cleaning Station with Integrated Anti-Spatter Spray for Tandem Arc Torches with Cloos® Nozzles
EL-NCS-A-TA-24-FR	Cleaning Station with Integrated Anti-Spatter Spray for Tandem Arc Torches with Fronius® Nozzles
EL-NCS-A-TA-24-TR	Cleaning Station with Integrated Anti-Spatter Spray for Tandem Arc Torches with Tregaskiss® Nozzles

MODELS WITH INTEGRATED IO-LINK / ETHERNET

Part No.	Description
EL-NCS-AIO-24	IO-Link Cleaning Station with Integrated Anti Spatter Spray
EL-NCS-AIO-24-SC	IO-Link Cleaning Station with Integrated Anti Spatter Spray and Self Cleaning
EL-NCS-ACIO-24	IO-Link Cleaning Station with Integrated Anti Spatter Spray and a Wire Cutter
EL-NCS-ACIO-24-SC	IO-Link Cleaning Station with Integrated Anti Spatter Spray, Self Cleaning, and a Wire Cutter
EL-NCS-AE-24	Ethernet Cleaning Station with Integrated Anti Spatter Spray
EL-NCS-AE-24-SC	Ethernet Cleaning Station with Integrated Anti Spatter Spray and Self Cleaning
EL-NCS-ACE-24	Ethernet Cleaning Station with Integrated Anti Spatter Spray and a Wire Cutter
EL-NCS-ACE-24-SC	Ethernet Cleaning Station with Integrated Anti Spatter Spray, Self Cleaning, and a Wire Cutter

TORCH WIZARD® OPTIONAL ACCESSORIES

Part No.	Description
EL-NCS-STAND	29.5" (749 mm) Stand for EL-NCS; additional heights available: 12" (305 mm), 20" (508 mm), 36" (914 mm), 48" (1,219 mm) and 60" (1,524 mm)
EL-NCS-FRL-14	Filter/Regulator/Lubricator
EL-NCS-CGK	Cobot Guarding Kit for Reamer Only
EL-NCS-CGK-C	Cobot Guarding Kit for Reamer and Wire Cutter
EL-NCS-TB-20	Testing and Diagnostic Box for 9-pin models
EL-NCS-TCP-F-R	Tool Center Point Mount (attaches to reaming station stand)
EL-NCS-WCS-12	Integrated Wire Cutter (included on AC models)
EL-NCS-WCS-SA-12	Stand Alone Wire Cutter
EL-NCS-CC9-24-3	9 Pin, 20 ft Power/Control Cable

TORCH WIZARD® REAMER BLADES

Part No.	Description	Diameter	Flutes	Thread	Height
EL-NCS-13MM	Reamer Blade	13 mm	2	Female	2.558"
EL-NCS-TL-13MMF	Reamer Blade	13 mm	1	Female	2.687"
EL-NCS-15MM	Reamer Blade	15 mm	2	Female	2.558"
EL-NCS-TL-15MMF	Reamer Blade	15 mm	1	Female	2.697"
EL-NCS-17MM-L	Reamer Blade (ID: .402")	17 mm	2	Female	3.564"
EL-NCS-17MM-1-L	Reamer Blade (ID: .329")	17 mm	2	Female	3.564"
EL-NCS-500	Reamer Blade ⚡	1/2"	2	Female	2.558"
EL-NCS-TL-50F	Reamer Blade ⚡	1/2"	1	Female	2.687"
EL-NCS-TS-50F	Reamer Blade ⚡	1/2"	1	Female	2.433"
EL-NCS-625	Reamer Blade ⚡	5/8"	2	Female	2.558"
EL-NCS-TL-62F	Reamer Blade ⚡	5/8"	1	Female	2.687"
EL-NCS-TS-62F	Reamer Blade ⚡	5/8"	1	Female	2.433"
EL-NCS-750	Reamer Blade ⚡	3/4"	2	Female	2.558"

The reamer blade required is based on the I.D. of the gas nozzle being used.

⚡ Blades compatible with PowerBall® Torch Consumables

BLUE MAGIC® ANTI-SPATTER

Part No.	Description
EAS1000-C32	32 oz Spray Bottle
EAS1000-C1	1 gal Bottle
EAS1000-C5	5 gal Container
EAS1000-C	55 gal Drum
EAS1000-CT	275 gal Bulk Tote
EAS1000-C-CON-1L	1 l (33 oz) Concentrate
EAS1000-C-CON-5	5 gal Concentrate
EAS1000-DP	Manual Drum Pump (55 gal)

BLUE MAGIC® HD HIGH DUTY CYCLE ANTI-SPATTER

Specially formulated for extremely high temperature, long duty cycle applications

Part No.	Description
EAS1000-HDC32	32 oz Spray Bottle
EAS1000-HDC1	1 gal Bottle
EAS1000-HDC5	5 gal Container
EAS1000-HDC	55 gal Drum



**FAMILY OWNED
AMERICAN MADE**

REDEFINING ARC WELDING PERFORMANCE