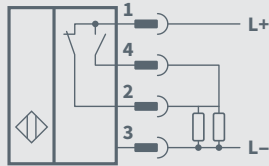


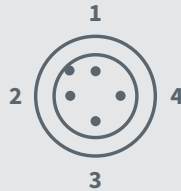
CONNECTION

Connection requires female 4-pin M12 x 1 cable, A-coded (not included).



Wire colors in accordance with EN 60947-5-2

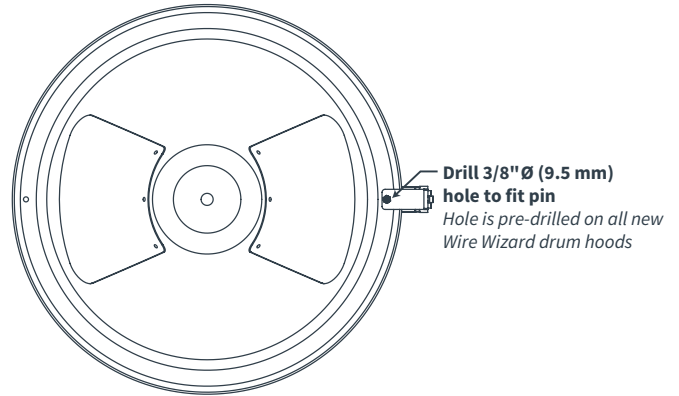
- | | | |
|---|----|---------|
| 1 | BN | (brown) |
| 2 | WH | (white) |
| 3 | BU | (blue) |
| 4 | BK | (black) |



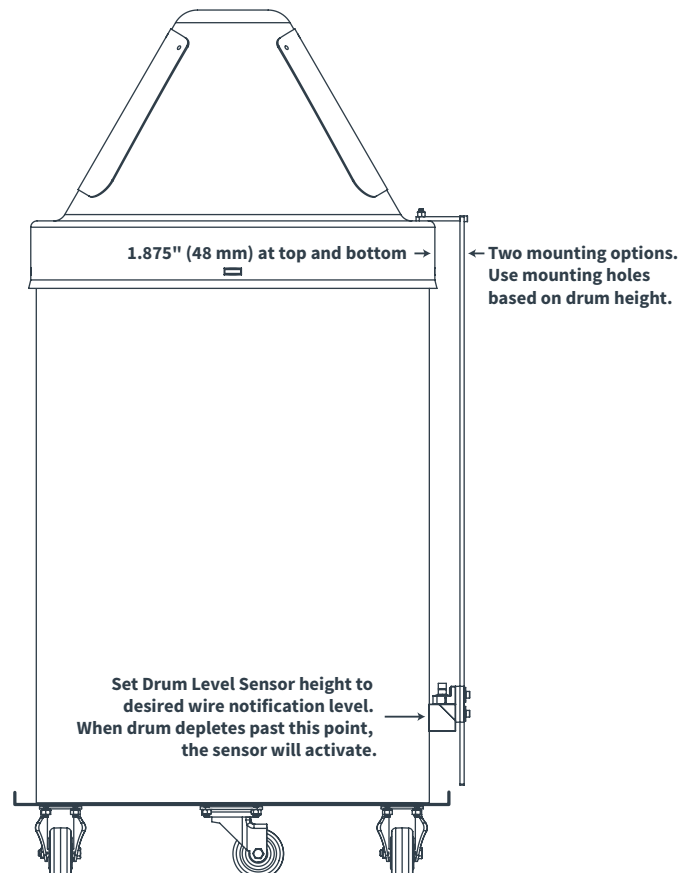
INSTALLATION

Wire must be less than 2" (50 mm) from sensor for proper functionality

DRUM HOOD (TOP VIEW)



SIDE VIEW



SENSOR FEATURES

- ▶ 50 mm non-flush
- ▶ Active Shielding Technology
- ▶ 4-wire DC
- ▶ Sensor head bidirectional and rotatable
- ▶ Quick mounting bracket
- ▶ 4 LEDs indicator for 360° visibility



TECHNICAL DATA

General Specifications		
Switching function		complementary
Output type		PNP
Rated operating distance	s_n	50 mm
Installation		non-flush
Output polarity		DC
Assured operating distance	s_a	0 ... 40.5 mm
Actual operating distance	s_r	45 ... 55 mm typ.
Reduction factor r_{AI}		0.5
Reduction factor r_{Cu}		0.49
Reduction factor r_{304}		0.78
Reduction factor r_{Brass}		0.55
Output type		4-wire

Nominal ratings		
Operating voltage	U_B	10 ... 30 V DC
Switching frequency	f	0 ... 40 Hz
Hysteresis	H	typ. 5 %
Reverse polarity protection		reverse polarity protected
Short-circuit protection		pulsing
Voltage drop	U_d	≤ 2 V
Operating current	I_l	0 ... 200 mA
Off-state current	I_r	0 ... 0.5 mA
No-load supply current	I_o	≤ 20 mA
Time delay before availability	t_v	80 ms
Operating voltage indicator		LED, green
Switching state indicator		LED, yellow

Functional safety related parameters		
MTTFd		929 a
Mission Time (TM)		20 a
Diagnostic Coverage (DC)		0 %

Compliance with standards and directives		
Standard conformity		text
Standards		EN 60947-5-2:2007 EN 60947-5-2/A1:2012 IEC 60947-5-2:2007 IEC 60947-5-2 AMD 1:2012

Approvals and certificates		
UL approval		cULus Listed, General Purpose
CCC approval		CCC approval / marking not required for products rated ≤ 36 V

Ambient conditions		
Ambient temperature		-25 ... 70 °C (-13 ... 158 °F)
Storage temperature		-40 ... 85 °C (-40 ... 185 °F)

Mechanical specifications		
Connection type		Connector plug M12 x 1, 4-pin
Housing material		PA
Sensing face		PA
Degree of protection		IP68 / IP69
Mass		130 g

LIMITED 1 YEAR WARRANTY

ELCo Enterprises, Inc. (hereinafter "ELCo") shall warrant this product to be free of defects in material and/or workmanship for a period of one (1) year, starting from the date of shipment to the buyer. The warranty shall cover 100% of all parts and labor with the exception of misuse, abuse, neglect and typical consumables as determined by ELCo. This warranty excludes damage caused by industrial contaminants, arc shorts, improper installation or improper maintenance. ELCo will at its option, repair, replace or issue a credit for the value of the defective product within the warranty period. Buyer accepts all responsibility for compliance with any/all Local, State and Federal Laws or Regulations including Regulations of Foreign Governments. No equipment shall be returned to ELCo without a Return Authorization Number. Upon evaluation and validation of warranty, replacements or repairs will be sent to the Buyer. If a replacement is needed immediately, a purchase order is required to cover the cost of the product until the warranty is determined.

ELCo's warranty is limited to replacing any goods that are proved to be defective and ELCo in no event shall have any liability for paying incidental or consequential damages including and without limitation, damages resulting in personal or bodily injury or death, or damages to, or loss of use of any property. Notwithstanding any of these terms and conditions, the warranties set forth shall apply in connection with any sales of goods, services or design by ELCo and are in lieu of all other warranties, express or implied, including warranties of merchantability and fitness for a particular purpose.

